

Hydromat 3500

Overview Hydromat 3500: Standards och options

For detailed information, please contact your WEINIG expert.

Working width (Option)	30 – 230 mm (300 mm)
Working height (Option)	8 – 120 mm (200 mm)
Number of spindels	Upon request
Spindel diameter (Standard)	50
Horizontal spindle with outboard bearing	●
PowerLock system	○
Spindle speed	6.000 rpm
Straight and profile jointer system	○
PowerCom	●
PowerCom Plus	○
Spindle adjustment with digital readouts	●
Motorized spindle axis for width and thickness adjustment	●
Motorized axis for all spindles	●
Feed speed, electrical	10 – 120 / 150 / 200 / 250 m/min
Frequency controlled feed speed	●
Hardened feed table	●
MarathonCoating machine table plates	○
Motor power horizontal spindle	7,5 - 82 kW
Motor power vertical spindle	7,5 - 53 kW
Motor power feed system	2,2 – 5,5 kW each feed roller
Short infeed table, 4 infeed rollers	●
Short infeed table with feed rollers 250 mm	●
Diameter feed rollers	250 mm
Tool cutting circle vertical spindle	160 – 260 mm
Tool cutting circle horizontal spindle	160 – 260 mm
Tool cutting circle saw spindle (Option)	Upon request
Adjustment vertical spindle (axial)	100 mm
Adjustment horizontal spindle, except 1st bottom (axial)	40 mm
Opposed vertical spindles	○
Floating vertical spindles	○
Chamfering units	○
Space in base frame for scanner/moisture meter	○

● Standard ○ Option

Hydromat 3500

The new moulder for efficient production of profiled timber



WACO JONSEREDS AB
P O Box 283 / Skackelvägen 1
SE-301 07 Halmstad

Tel. +46 35 17 67 00
Fax. +46 35 17 67 80
E-mail info@waco.se
Internet www.waco.se



Hydromat 3500: The compact and energy-saving moulder

Hydromat 3500 is the perfect machine when producing profiled timber, boards and mouldings and is easily installed in every modern production plant. Small- or large-scale business doesn't matter – Hydromat 3500 is the ideal machine! Highly equipped in standard design, but also with a wide range of accessories that makes the machine individually specified. The compact machine dimensions, the fully automatic positioning system by PowerCom and the ergonomically designed structure, make the tool changing very simple.

Hydromat 3500 offers many advantages:

- Compact machine dimensions – less space is needed
- Open construction of design for easier service and maintenance
- Integrated tool lifting system for the vertical spindles
- Separate feed motors for best possible feeding of the work pieces
- The machine is fully PLC-controlled
- Short distance between feed rollers for short pieces
- Environment friendly feeding system
- 100 mm axial adjustment of the vertical spindles for a better tool utilization



Separate energy efficient feed motors

As much as 15 % of the energy costs can be saved thanks to the separate feed motors (compared to a traditional feeding system). For optimum feeding (work pieces end to end or with regular intervals), each feed roller is equipped with a separate frequency controlled motor.

Superior ergonomics

Thanks to the compact construction, the fully automatic positioning and the integrated tool lifting device, the tool changes are done quickly and ergonomically. The right vertical spindle is easy accessible, because of the hinged side- and top pressure roller arms.

High specification in standard design



The short feed roller distance (less than 1.200 mm) and the large feed roller diameter (250 mm), results in good transportation of short pieces.



Double top pressure rollers opposite the left vertical spindle, are moved together with the tool.



Simple control of the separate feed motors, when running end-to-end production or producing single pieces (for moisture meter or scanner solutions).



Shorter time when changing tools, thanks to PowerCom and fully automatic positioning of the tools.

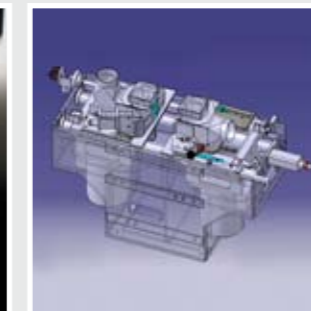
Fine-tuning with powerful options



Remote controlled straight and profile jointers for top surface quality.



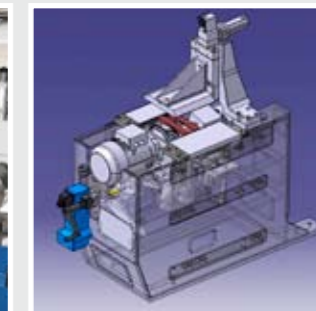
The option opposed vertical spindles, guarantees absolute parallelism of the work piece.



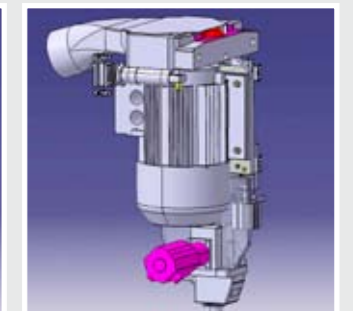
Absolute parallelism with minimum loss of material, thanks to the floating vertical spindle that follows the bow of the work piece.



The possibility to increase the number of feed rollers, for better transportation of short pieces (from 850 mm).



Two individually pneumatically controlled grooving units moving up- and down for stress relieving operations.



Four individually controlled chamfering units for chamfers and edge rounding.