

## UNIRIP 310

## UNIRIP 310

The compact machine concept for efficient, economical ripping

### Possible combinations

### Overview table UniRip 310: Standards and options

Your WEINIG expert will be happy to give you detailed information.

Max. cutting width	310 mm
Chain width	340 mm
Max. throat width	650 mm
Max. cutting height with Quickfix clamping device	110 mm
Min. material length	500 mm
Max. feed speed	35 m/min
Motor capacity, standard (option)	22 (37) kW
Saw blade diameter, min./max.	300 / 350 mm
Machine weight	1850 kg
Machine dimensions - length x width x height	1.75 x 1.75 x 1.5 m
Working height	850 mm
Diameter of dust port	250 mm
Required suction volume	5300 m³/h
Noise emission at the machine in idle motion / in operation *	LpA = 77 / 82 dB(A)
Sound volume in idle motion / in operation *	LpA = 93 / 98 dB(A)
Quickfix	●
Motorized adjustment - saw arbor height	●
Motorized adjustment - pressure unit height	●
Spikes	○
Infeed fence	○
Laser for indicating saw blade position	○
Saw bushing	○
Pressure board	○

\* according to EN 1870-4 and ISO 7960 annex Q; uncertainty constant value K = 4 dB(A)

● Standard ○ Option

We reserve the right to make technical changes. Statements and pictures in this brochure may contain items which are not included in the standard scope of supply. The use of optional equipment may influence the technical data. Some protective covers have been removed for photographing.

0415/ST/1500/GBR



#### Product Unit Cutting

RAIMANN HOLZOPTIMIERUNG  
GMBH & CO.KG  
Weisserlenstr. 11  
79108 Freiburg  
Germany

Phone +49 761 13033-0  
Fax +49 761 13033-17  
info-cutting@weinig.com  
www.weinig.com

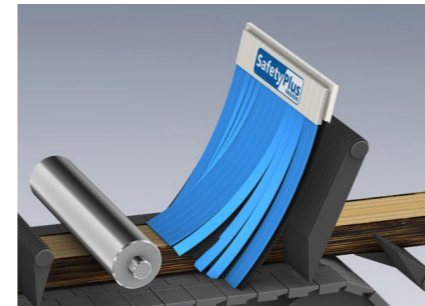
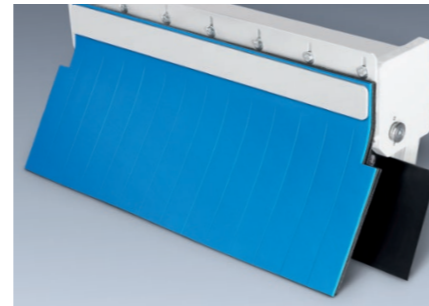


# WEINIG UniRip 310 RaimannLine: Easy handling, top reliability

The UniRip 310 is the perfect machine to enable small businesses to use modern Quickfix technology. Outstanding material guidance due to proven WEINIG feed chain technology provides optimal cutting results. Extremely easy-to-operate fast precision ripping. With the patented Quickfix concept setup times are reduced to a minimum and that facilitates very efficient setup. With five-fold anti-kick-back devices and the patented SafetyPlus system, it sets new standards in terms of operator safety. As a compact standard machine with advanced equipment options, the UniRip 310 is the perfect multipurpose rip saw for companies large and small.

## The UniRip 310 offers many competitive advantages

- Superior cutting quality due to parallel prismatic chain guides
- Setup times greatly reduced with Quickfix
- Electronic height adjustment of the pressure unit and saw arbor
- SafetyPlus provides maximum safety
- Small footprint, compact design
- Great reliability due to closed linked chain



### Quickfix:

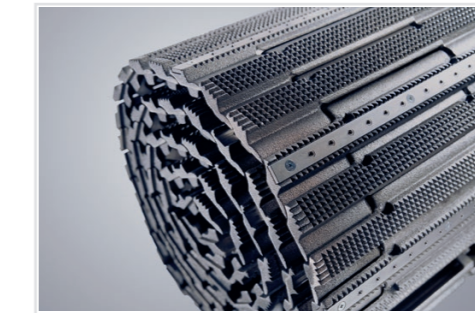
#### Arbor setup without tools

Release hydraulic clamping by hand, insert sample blanks. Shift blades on the arbor, clamp hydraulically. Done. Without any bushings, spacers or tools. You have never before reconfigured a rip saw as fast, easily and conveniently as with the patented Quickfix.

### SafetyPlus

The operator has maximum protection with SafetyPlus. An additional Kevlar® curtain complements the conventional anti-kick-back devices. The hazardous area is optimally sealed.

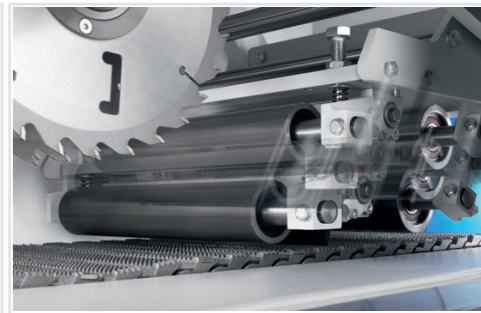
## Advanced standard features



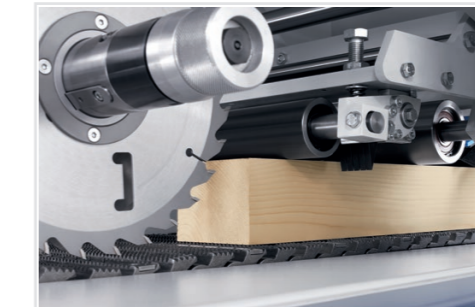
Closed chain links – reliable timber conveyance



Motorized height adjustment of saw arbor: great operating convenience



Motorized height adjustment of the pressure unit: great operating convenience



Cutting height up to 110 mm



Prism-guided feed chain: excellent cutting results



Efficient dust extraction for uninterrupted working

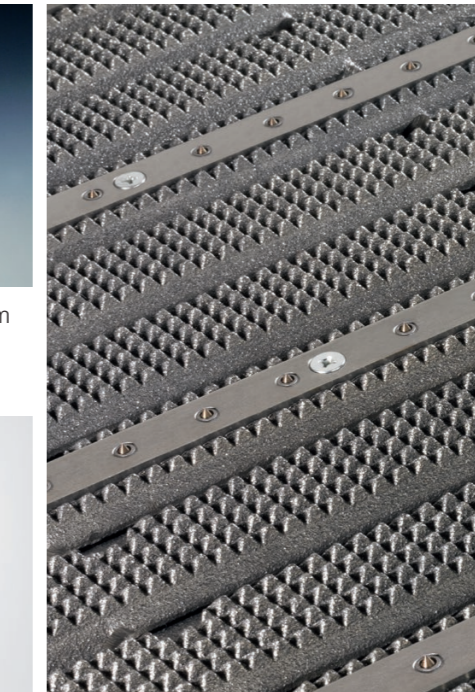
## Powerful options



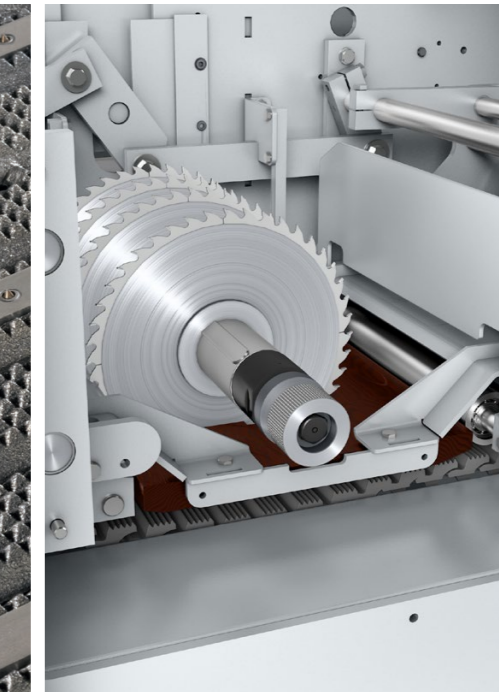
Saw bushing for cutting widths less than 25 mm



Infeed fence: ideal for processing edged timber



Spikes: lateral guidance for exact parallelism even for warped timber



Pressure board: perfect quality cuts also with short pieces of timber



Laser for indicating cuts: see what is being sawn